

**#153 Mechanical Seal Options**

1331655 (Std.) Cast Iron Stationary Seat, Carbon Seal Face, FKM O-Rings. (IVCV)

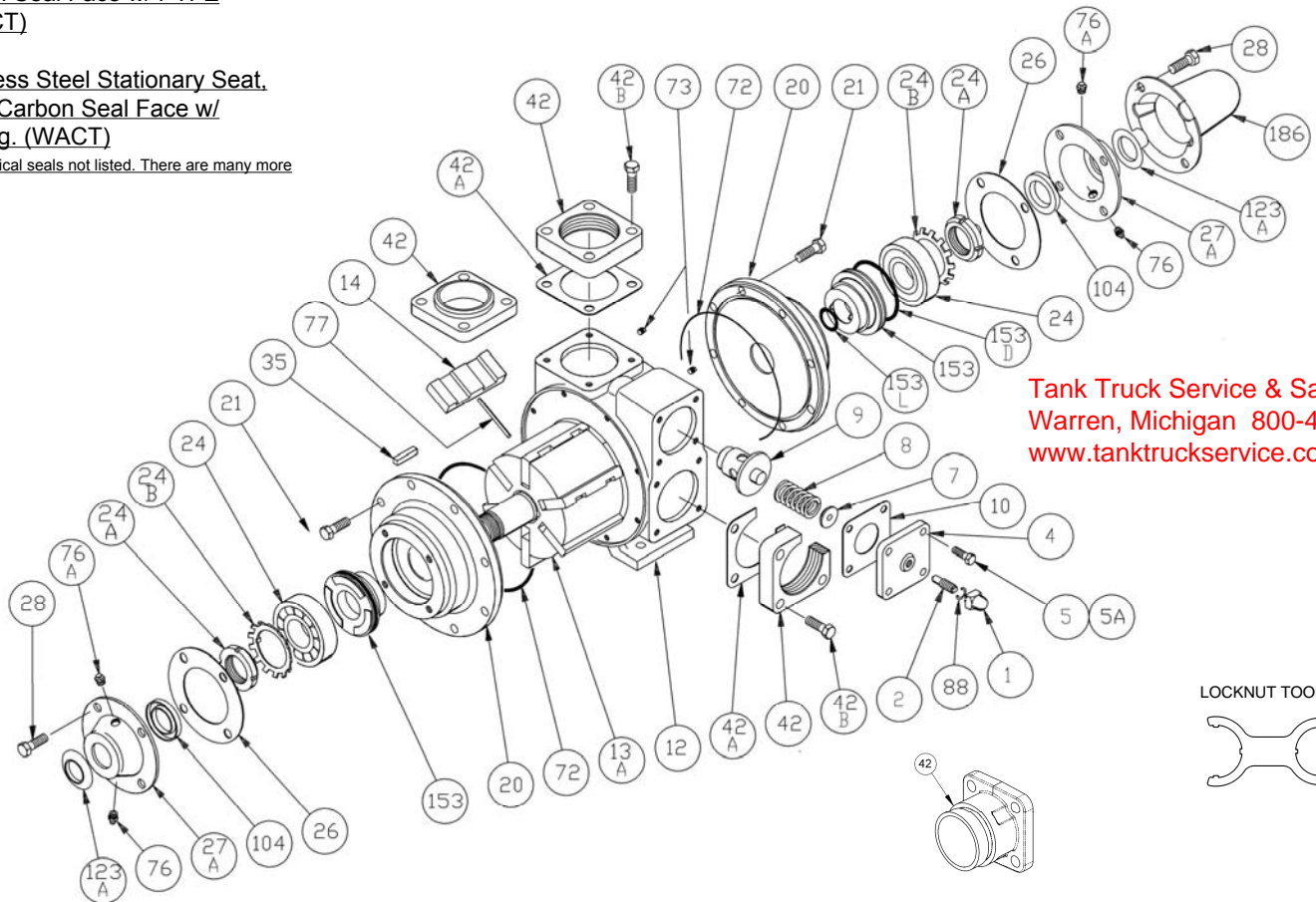
331601 Cast Iron Stationary Seat, Carbon Seal Face, Buna-N O-Rings. (INCN)

331673 Cast Iron Stationary Seat, PTFE O-Ring, Carbon Seal Face w/ PTFE Seal Ring. (IACT)

331648 Stainless Steel Stationary Seat, PTFE O-Ring, Carbon Seal Face w/ PTFE Seal Ring. (WACT)

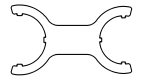
Please call for mechanical seals not listed. There are many more configurations.

**BLACKMER PARTS LIST  
PUMP MODELS TXD2.5A (DOUBLE ENDED SHAFT)  
TX2.5A (SINGLE ENDED SHAFT)  
EFFECTIVE JULY, 2015**



Tank Truck Service & Sales, Inc  
Warren, Michigan 800-482-2678  
www.tanktruckservice.com

LOCKNUT TOOL



Ref. No.	Description	Parts Per Pump	Part No.	Ref. No.	Description	Parts Per Pump	Part No.
1	Cap – Relief Valve (R/V)	1	411453	28	Capscrews – Bearing Cover	8	920285
2	Adjusting Screw – R/V	1	431401	35	Key – Shaft Square	1	<sup>1,2</sup> 909209
4	Cover – Relief Valve	1	411607	42	Flanges		See Backside
5	Capscrew – R/V Cover	3	920316	42A	Gasket – Flange		
5A	Capscrew w / Hole – R/V Cover	1	920310	42B	Capscrews – Flange		
7	Spring Guide – R/V	1	423955	42C	O-Ring – Victaulic Flanges		
8	Spring – R/V (51-110 psi) (Std.)	1	471631	72	O-Ring – Head (FKM)	2	<sup>1</sup> 701914
	Spring – R/V (111-125 psi)		471614		O-Ring – Head (Buna-N)		<sup>1</sup> 701947
9	Valve – R/V <sup>3</sup>	1	451623		O-Ring – Head (PTFE)		702242
	Valve – R/V (Nickel Plated)		451624	73	Gage Plug	2	908198
10	Gasket – R/V Cover	1	<sup>1</sup> 531603	76	Grease Fitting	2	317815
12	Cylinder – Pump	1	021605	76A	Grease Relief Fitting	2	701992
13A	Rotor/Shaft Asy. - Double Ended <sup>4</sup>	1	261665	77	Push Rod	3	<sup>1</sup> 121607
	Rotor/Shaft Asy. - Single Ended <sup>4</sup>		261667	88	Gasket – R/V Cap	1	<sup>1</sup> 701981
	Rotor/Shaft Asy. - Dbl End, Stainless Steel <sup>4</sup>		261671	104	Grease Seal	1 - 2	<sup>1</sup> 331918
14	Vane – Duravane	6	<sup>1</sup> 091619	123A	Dirt Shield	1 - 2	<sup>1</sup> 701480
20	Head (Std.)	2	031425	186	Shaft Protector	1	341601
21	Capscrews – Head	16	920331		Air Valve Kit – Piston Type (FKM)		891725
24	Ball Bearing	2	<sup>1</sup> 903156		Air Valve Kit – Diaphragm Type		891696
24A	Locknut – Bearing	2	903521		Tool - Locknut		903091
24B	Lockwasher – Bearing	2	<sup>1</sup> 903522		Maintenance Kit (FKM)		898957
26	Gasket – Bearing Cover	2	<sup>1</sup> 381406		Maintenance Kit (Buna-N)		898951
27A	Bearing Cover	1 - 2	041431				
	Bearing Cover – Outboard, SE shaft	0 - 1	041433				

<sup>1</sup> Included in Maintenance Kit

<sup>2</sup> Maintenance Kit also includes Woodruff Key 909130 used previously

<sup>3</sup> For Piston Style Air Operated RV see IOM 201-G00, Diaphragm Air RV – 201-F00, DMX Diaphragm RV – 201B-B00.

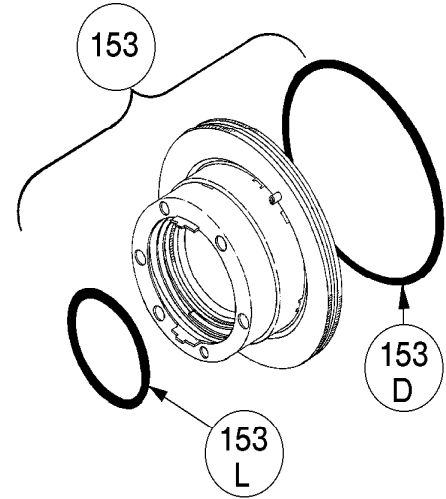
<sup>4</sup> Includes Ref. Nos. 24A & 24B

## MECHANICAL SEALS

REF. NO.	PART NAME	PARTS PER PUMP	PART NO.
153	Mechanical Seal Complete - Cast Iron Stationary Seat, Carbon Seal Face, FKM O-Rings. (IVCV)	2	<sup>1</sup> 331655
	Mechanical Seal Complete - Cast Iron Stationary Seat, Carbon Seal Face, Buna-N O-Rings. (INCN)		<sup>1</sup> 331601
	Mechanical Seal Complete - Cast Iron Stationary Seat, PTFE O-Ring, Carbon Seal Face w/ PTFE Seal Ring. (IACT)		331673
153D	O-Ring - Stationary (FKM)	2	701921
	O-Ring - Stationary (Buna-N)		701934
	O-Ring - Stationary (PTFE)		702056
153L	O-Ring - Rotating (FKM)	2	701980
	O-Ring - Rotating (Buna-N)		701922
	Seal Ring - Rotating (PTFE)		**

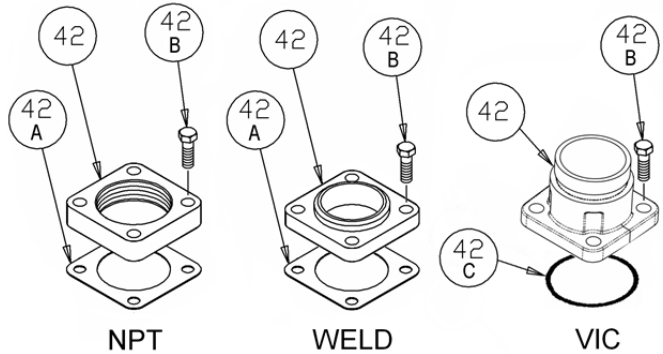
<sup>1</sup> Included in Maintenance Kit

\*\* PTFE Rotating Seal Ring is not available as a separate part.



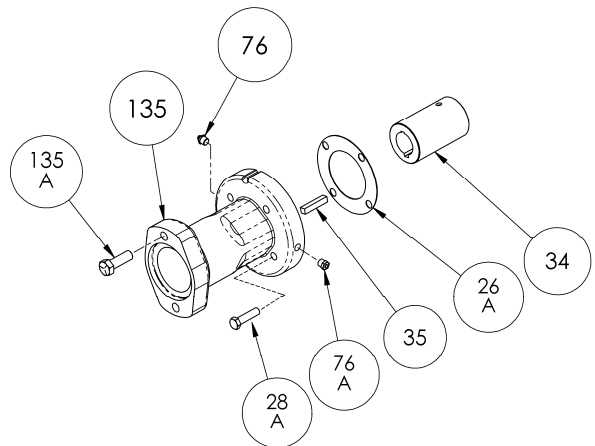
## FLANGES

REF. NO.	PART NAME	PARTS PER PUMP	PART NO.
42	Flange - 2" NPT	1 - 2	651603
	Flange - 2 1/2" NPT		651611
	Flange - 2 1/2" Weld		651608
	Flange - 2" Victaulic		655116
	Flange - 2 1/2" Victaulic		655117
	Flange - 3" Victaulic		655118
42A	Gasket - Flange, NPT and Weld	0 - 2	<sup>1</sup> 381650
42B	Capscrews - 2" NPT Flange	4 - 8	920471
	Capscrews - 2 1/2" NPT Flange		920532
	Capscrews - 2 1/2" Weld		920491
	Capscrews - Victaulic Flanges		920491
42C	O-Ring - Victaulic Flange (Buna-N)	0 - 2	701925
	O-Ring - Victaulic Flange (FKM)		701924
	O-Ring - Victaulic Flange (PTFE)		702079



## OPTIONAL HYDRAULIC MOTOR ADAPTER PARTS

REF. NO.	PART NAME	PARTS PER PUMP	PART NO. 1-1/4" Hyd Motor Shaft	PART NO. 1" Hyd Motor Shaft
	<b>Hydraulic Motor Adapter Kit *</b>		891458	891205
26A	Gasket - Hydraulic Motor Adapter	1	383940	383940
28A	Capscrew - Hydraulic Motor Adapter / Head	4	920369	920369
34	Coupling w/ Setscrew - for straight key hyd. motor shaft	1	906967	906966
35	Key - Coupling	1	909184	N/A
76	Grease Fitting	1	317815	317815
76A	Grease Relief Fitting	1	701992	701992
135	Hydraulic Motor Adapter - SAE A Flange	1	041828	041827
135A	Capscrew - Adapter / Motor	2	920510	920510



\* Hydraulic Motor Adapters shipped prior to Spring 2002 were a two piece design - refer to 206-B00.



Tank Truck Service & Sales, Inc  
Warren, Michigan 800-482-2678  
[www.tanktruckservice.com](http://www.tanktruckservice.com)